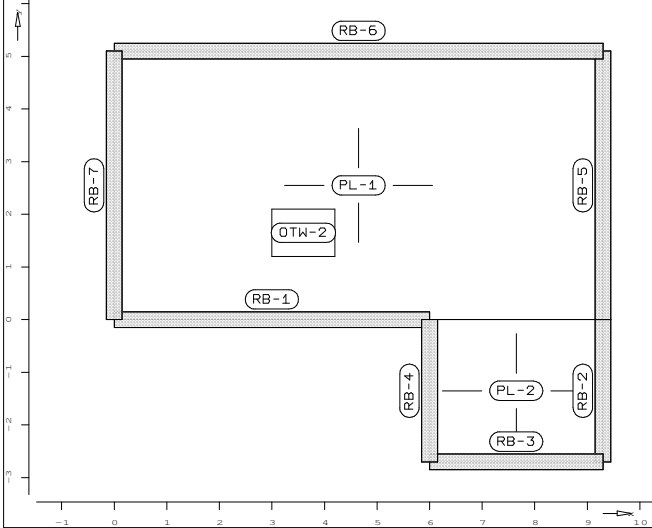


Geometria



Poz. PL-1 - Obszar płyty

|         |     |      |      |      |      |      |   |
|---------|-----|------|------|------|------|------|---|
| Strukt. | x = | 0.00 | 0.00 | 9.30 | 9.30 | 0.00 | m |
|         | y = | 0.00 | 5.10 | 5.10 | 0.00 | 0.00 | m |

Materiał Płyta izotropowa  
 Grubość = 15.0 cm  
 Gęstość = 25.00 kN/m<sup>3</sup>  
 Moduł E = 3.00e+007 kN/m<sup>2</sup>  
 Mue = 0.20

Poz. PL-2 - Obszar płyty

|         |     |      |       |       |      |      |   |
|---------|-----|------|-------|-------|------|------|---|
| Strukt. | x = | 9.30 | 9.30  | 6.70  | 6.00 | 9.30 | m |
|         | y = | 0.00 | -2.70 | -2.70 | 0.00 | 0.00 | m |

Materiał Płyta izotropowa  
 Grubość = 15.0 cm  
 Gęstość = 25.00 kN/m<sup>3</sup>  
 Moduł E = 3.00e+007 kN/m<sup>2</sup>  
 Mue = 0.20

Poz. RB-1 - Podpora liniowa

|         |     |      |      |   |
|---------|-----|------|------|---|
| Strukt. | x = | 0.00 | 6.00 | m |
|         | y = | 0.00 | 0.00 | m |

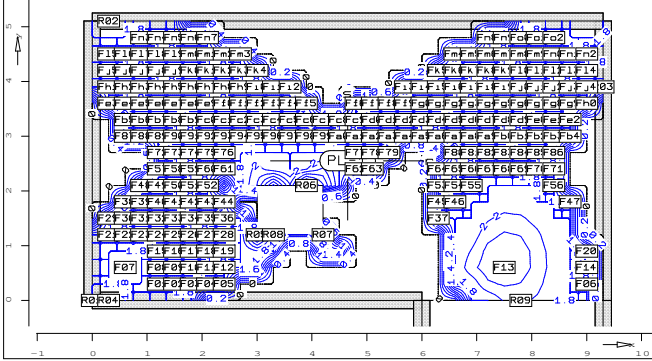
Podpora Ścisk./rozc. Przem. w kierunku t = 3.00e+006 kN/m<sup>2</sup>  
 (d = 0.30 m h = 3.00 m Mod E = 3.00e+007 kN/m<sup>2</sup>)

Poz. RB-2 - Podpora liniowa

|         |     |      |       |   |
|---------|-----|------|-------|---|
| Strukt. | x = | 9.30 | 9.30  | m |
|         | y = | 0.00 | -2.70 | m |

Podpora Ścisk./rozc. Przem. w kierunku t = 3.00e+006 kN/m<sup>2</sup>  
 (d = 0.30 m h = 3.00 m Mod E = 3.00e+007 kN/m<sup>2</sup>)

Poz. PL-1 - Zbrojenie dołem asr [cm<sup>2</sup>/m]



Wymiarowanie dla obwiedni MIN/MAX przez Lfn i Lkn  
 wymiarowanie wg. PN-2002/B-03264  
 Beton B25 fcd = 13.3 MPa  
 Stal AIIIIN fykd = 420.0 MPa  
 Grubość stala d = 15.00 cm

ro 3.0 so 3.0 ru 3.0 su 3.0 cm  
 Kat ułożenia zbrojenia w = 0.00 stop  
 Skok izolacji krok = 0.20 cm<sup>2</sup>/m

Zbrojenie

| Funkt | X    | Y    | mx   | my    | mxy     | asru                 | assu |
|-------|------|------|------|-------|---------|----------------------|------|
|       | [m]  |      |      |       | [kNm/m] | [cm <sup>2</sup> /m] |      |
| F01   | 1.20 | 0.30 | 1.11 | 2.13  | -6.72   | 1.8                  | 1.8  |
| F02   | 1.50 | 0.30 | 1.18 | 2.42  | -6.15   | 1.8                  | 1.8  |
| F03   | 1.80 | 0.30 | 1.25 | 2.65  | -5.59   | 1.8                  | 1.8  |
| F04   | 2.10 | 0.30 | 1.34 | 2.77  | -5.01   | 1.8                  | 1.8  |
| F05   | 2.40 | 0.30 | 1.50 | 2.73  | -4.36   | 1.8                  | 1.8  |
| F06   | 9.40 | 0.30 | 2.60 | 0.37  | 2.97    | 1.8                  | 0.0  |
| F07   | 0.60 | 0.60 | 1.63 | 2.23  | -7.23   | 1.8                  | 1.9  |
| F08   | 1.20 | 0.60 | 2.08 | 3.23  | -6.33   | 1.8                  | 2.1  |
| F09   | 1.50 | 0.60 | 2.21 | 4.33  | -5.83   | 1.8                  | 2.1  |
| F10   | 1.80 | 0.60 | 2.30 | 4.82  | -5.36   | 1.8                  | 2.1  |
| F11   | 2.10 | 0.60 | 2.42 | 5.15  | -4.93   | 1.8                  | 2.1  |
| F12   | 2.40 | 0.60 | 2.69 | 5.16  | -4.52   | 1.8                  | 2.0  |
| F13   | 7.50 | 0.60 | 7.23 | 0.01  | 4.17    | 2.3                  | 0.0  |
| F14   | 9.00 | 0.60 | 2.60 | 0.51  | 3.04    | 1.8                  | 0.0  |
| F15   | 1.20 | 0.90 | 2.90 | 4.95  | -5.70   | 1.8                  | 2.2  |
| F16   | 1.50 | 0.90 | 3.06 | 5.85  | -5.28   | 1.8                  | 2.3  |
| F17   | 1.80 | 0.90 | 3.15 | 6.63  | -4.90   | 1.8                  | 2.4  |
| F18   | 2.10 | 0.90 | 3.20 | 7.25  | -4.62   | 1.8                  | 2.4  |
| F19   | 2.40 | 0.90 | 3.32 | 7.81  | -4.58   | 1.8                  | 2.6  |
| F20   | 9.00 | 0.90 | 2.57 | 0.70  | 2.97    | 1.8                  | 0.0  |
| F21   | 0.30 | 1.20 | 1.53 | 1.67  | -5.63   | 1.8                  | 1.8  |
| F22   | 0.60 | 1.20 | 2.54 | 3.21  | -5.46   | 1.8                  | 1.8  |
| F23   | 0.90 | 1.20 | 3.18 | 4.61  | -5.18   | 1.8                  | 2.0  |
| F24   | 1.20 | 1.20 | 3.56 | 5.88  | -4.85   | 1.8                  | 2.2  |
| F25   | 1.50 | 1.20 | 3.76 | 7.03  | -4.49   | 1.8                  | 2.4  |
| F26   | 1.80 | 1.20 | 3.81 | 8.09  | -4.17   | 1.8                  | 2.5  |
| F27   | 2.10 | 1.20 | 3.74 | 9.08  | -3.99   | 1.8                  | 2.7  |
| F28   | 2.40 | 1.20 | 3.60 | 10.05 | -3.98   | 1.8                  | 2.9  |
| F29   | 0.30 | 1.50 | 1.69 | 1.83  | -4.45   | 1.8                  | 1.8  |
| F30   | 0.60 | 1.50 | 2.85 | 3.53  | -4.32   | 1.8                  | 1.8  |
| F31   | 0.90 | 1.50 | 3.62 | 5.09  | -4.10   | 1.8                  | 1.9  |
| F32   | 1.20 | 1.50 | 4.09 | 6.54  | -3.82   | 1.8                  | 2.1  |
| F33   | 1.50 | 1.50 | 4.33 | 7.88  | -3.52   | 1.8                  | 2.3  |
| F34   | 1.80 | 1.50 | 4.36 | 9.15  | -3.22   | 1.8                  | 2.6  |
| F35   | 2.10 | 1.50 | 4.18 | 10.45 | -2.99   | 1.8                  | 2.8  |

Poz. RB-3 - Podpora liniowa

|         |     |       |       |   |
|---------|-----|-------|-------|---|
| Strukt. | x = | 9.30  | 6.00  | m |
|         | y = | -2.70 | -2.70 | m |

Podpora Ścisk./rozc. Przem. w kierunku t = 3.00e+006 kN/m<sup>2</sup>  
 (d = 0.30 m h = 3.00 m Mod E = 3.00e+007 kN/m<sup>2</sup>)

Poz. RB-4 - Podpora liniowa

|         |     |       |      |   |
|---------|-----|-------|------|---|
| Strukt. | x = | 6.00  | 6.00 | m |
|         | y = | -2.70 | 0.00 | m |

Podpora Ścisk./rozc. Przem. w kierunku t = 3.00e+006 kN/m<sup>2</sup>  
 (d = 0.30 m h = 3.00 m Mod E = 3.00e+007 kN/m<sup>2</sup>)

Poz. RB-5 - Podpora liniowa

|         |     |      |      |   |
|---------|-----|------|------|---|
| Strukt. | x = | 9.30 | 9.30 | m |
|         | y = | 0.00 | 5.10 | m |

Podpora Ścisk./rozc. Przem. w kierunku t = 3.00e+006 kN/m<sup>2</sup>  
 (d = 0.30 m h = 3.00 m Mod E = 3.00e+007 kN/m<sup>2</sup>)

Poz. RB-6 - Podpora liniowa

|         |     |      |      |   |
|---------|-----|------|------|---|
| Strukt. | x = | 9.30 | 0.00 | m |
|         | y = | 5.10 | 5.10 | m |

Podpora Ścisk./rozc. Przem. w kierunku t = 3.00e+006 kN/m<sup>2</sup>  
 (d = 0.30 m h = 3.00 m Mod E = 3.00e+007 kN/m<sup>2</sup>)

Poz. RB-7 - Podpora liniowa

|         |     |      |      |   |
|---------|-----|------|------|---|
| Strukt. | x = | 0.00 | 0.00 | m |
|         | y = | 5.10 | 0.00 | m |

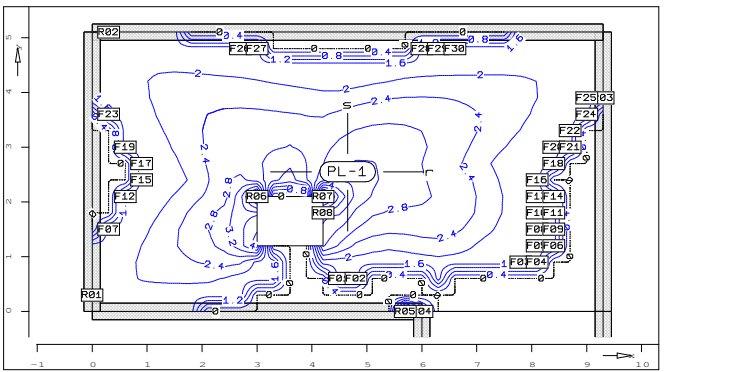
Podpora Ścisk./rozc. Przem. w kierunku t = 3.00e+006 kN/m<sup>2</sup>  
 (d = 0.30 m h = 3.00 m Mod E = 3.00e+007 kN/m<sup>2</sup>)

| Punkt | X    | Y    | mx   | my    | mxy     | asru                 | assu |
|-------|------|------|------|-------|---------|----------------------|------|
|       | [m]  |      |      |       | [kNm/m] | [cm <sup>2</sup> /m] |      |
| F36   | 2.40 | 1.50 | 3.72 | 11.78 | -2.93   | 1.8                  | 3.1  |
| F37   | 6.30 | 1.50 | 2.22 | 9.19  | -3.20   | 1.8                  | 2.6  |
| F38   | 0.60 | 1.80 | 3.08 | 3.74  | -3.08   | 1.8                  | 1.8  |
| F39   | 0.90 | 1.80 | 3.96 | 5.42  | -2.91   | 1.8                  | 1.8  |
| F40   | 1.20 | 1.80 | 4.51 | 6.97  | -2.69   | 1.8                  | 2.0  |
| F41   | 1.50 | 1.80 | 4.80 | 8.42  | -2.42   | 1.8                  | 2.2  |
| F42   | 1.80 | 1.80 | 4.84 | 9.79  | -2.12   | 1.8                  | 2.5  |
| F43   | 2.10 | 1.80 | 4.65 | 11.22 | -1.78   | 1.8                  | 2.7  |
| F44   | 2.40 | 1.80 | 4.07 | 12.69 | -1.43   | 1.8                  | 2.9  |
| F45   | 6.30 | 1.80 | 3.37 | 10.81 | 2.31    | 1.8                  | 2.7  |
| F46   | 6.60 | 1.80 | 4.13 | 9.85  | 2.79    | 1.8                  | 2.6  |
| F47   | 8.70 | 1.80 | 4.16 | 2.56  | 1.79    | 1.8                  | 0.0  |
| F48   | 0.90 | 2.10 | 4.20 | 5.59  | -1.68   | 1.8                  | 1.8  |
| F49   | 1.20 | 2.10 | 4.83 | 7.19  | -1.50   | 1.8                  | 1.8  |
| F50   | 1.50 | 2.10 | 5.18 | 8.66  | -1.28   | 1.8                  | 2.0  |
| F51   | 1.80 | 2.10 | 5.29 | 10.04 | -0.99   | 1.8                  | 2.3  |
| F52   | 2.10 | 2.10 | 5.18 | 11.36 | -0.56   | 1.8                  | 2.5  |
| F53   | 6.30 | 2.10 | 4.21 | 11.89 | 1.49    | 1.8                  | 2.8  |
| F54   | 6.60 | 2.10 | 4.75 | 10.97 | 1.84    | 1.8                  | 2.7  |
| F55   | 6.90 | 2.10 | 5.36 | 9.94  | 2.03    | 1.8                  | 2.5  |
| F56   | 8.40 | 2.10 | 5.24 | 4.20  | 1.19    | 1.8                  | 1.8  |
| F57   | 1.20 | 2.40 | 5.03 | 7.22  | -0.32   | 1.8                  | 1.8  |
| F58   | 1.50 | 2.40 | 5.44 | 8.66  | -0.16   | 1.8                  | 1.8  |
| F59   | 1.80 | 2.40 | 5.65 | 9.96  | 0.07    | 1.8                  | 2.1  |
| F60   | 2.10 | 2.40 | 5.69 | 11.06 | 0.42    | 1.8                  | 2.4  |
| F61   | 2.40 | 2.40 | 5.65 | 12.13 | 1.07    | 1.8                  | 2.7  |
| F62   | 4.80 | 2.40 | 4.63 | 15.04 | -1.82   | 1.8                  | 3.5  |
| F63   | 5.10 | 2.40 | 4.43 | 14.64 | -1.02   | 1.8                  | 3.3  |
| F64   | 6.30 | 2.40 | 4.77 | 12.50 | 0.73    | 1.8                  | 2.7  |
| F65   | 6.60 | 2.40 | 5.16 | 11.62 | 0.96    | 1.8                  | 2.6  |
| F66   | 6.90 | 2.40 | 5.59 | 10.63 | 1.08    | 1.8                  | 2.4  |
| F67   | 7.20 | 2.40 | 5.96 | 9.55  | 1.06    | 1.8                  | 2.2  |
| F68   | 7.50 | 2.40 | 6.17 | 8.40  | 0.92    | 1.8                  | 1.9  |
| F69   | 7.80 | 2.40 | 6.14 | 7.19  | 0.72    | 1.8                  | 1.8  |
| F70   | 8.10 | 2.40 | 5.79 | 5.92  | 0.48    | 1.8                  | 1.8  |
| F71   | 8.40 | 2.40 | 5.05 | 4.58  | 0.25    | 1.8                  | 0.0  |
| F72   | 1.20 | 2.70 | 5.11 | 7.11  | 0.83    | 1.8                  | 1.8  |
| F73   | 1.50 | 2.70 | 5.57 | 8.48  | 0.88    | 1.8                  | 1.9  |
| F74   | 1.80 | 2.70 | 5.84 | 9.66  | 0.99    | 1.8                  | 2.2  |
| F75   | 2.10 | 2.70 | 6.02 | 10.60 | 1.17    | 1.8                  | 2.4  |
| F76   | 2.40 | 2.70 | 6.22 | 11.11 | 1.42    | 1.8                  | 2.6  |
| F77   | 4.80 | 2.70 | 5.38 | 14.03 | -1.51   | 1.8                  | 3.2  |
| F78   | 5.10 | 2.70 | 4.99 | 14.31 | -1.11   | 1.8                  | 3.2  |
| F79   | 5.40 | 2.70 | 4.82 | 14.19 | -0.74   | 1.8                  | 3.1  |
| F80   | 6.60 | 2.70 | 5.36 | 11.88 | 0.15    | 1.8                  | 2.5  |
| F81   | 6.90 | 2.70 | 5.66 | 10.94 | 0.17    | 1.8                  | 2.3  |
| F82   | 7.20 | 2.70 | 5.90 | 9.89  | 0.09    | 1.8                  | 2.0  |
| F83   | 7.50 | 2.70 | 6.02 | 8.75  | -0.07   | 1.8                  | 1.8  |
| F84   | 7.80 | 2.70 | 5.92 | 7.52  | -0.29   | 1.8                  | 1.8  |
| F85   | 8.10 | 2.70 | 5.55 | 6.20  | -0.54   | 1.8                  | 1.8  |
| F86   | 8.40 | 2.70 | 4.83 | 4.80  | -0.77   | 1.8                  | 1.8  |
| F87   | 0.60 | 3.00 | 3.33 | 3.74  | 2.05    | 1.8                  | 1.8  |
| F88   | 0.90 | 3.00 | 4.34 | 5.39  | 1.99    | 1.8                  | 1.8  |
| F89   | 1.20 | 3.00 | 5.04 | 6.87  | 1.92    | 1.8                  | 1.8  |
| F90   | 1.50 | 3.00 | 5.51 | 8.16  | 1.85    | 1.8                  | 2.1  |
| F91   | 1.80 | 3.00 | 5.81 | 9.24  | 1.80    | 1.8                  | 2.3  |
| F92   | 2.10 | 3.00 | 6.02 | 10.08 | 1.75    | 1.8                  | 2.4  |
| F93   | 2.40 | 3.00 | 6.18 | 10.61 | 1.67    | 1.8                  | 2.5  |
| F94   | 2.70 | 3.00 | 6.25 | 10.87 | 1.50    | 1.8                  | 2.6  |
| F95   | 3.00 | 3.00 | 6.22 | 10.98 | 1.19    | 1.8                  | 2.5  |
| F96   | 3.30 | 3.00 | 6.11 | 11.07 | 0.75    | 1.8                  | 2.4  |
| F97   | 3.60 | 3.00 | 5.99 | 11.31 | 0.27    | 1.8                  | 2.4  |
| F98   | 3.90 | 3.00 | 5.96 | 11.73 | -0.22   | 1.8                  | 2.5  |
| F99   | 4.20 | 3.00 | 5.90 | 12.33 | -0.66   | 1.8                  | 2.7  |
| Fa0   | 4.50 | 3.00 | 5.73 | 12.95 | -0.96   | 1.8                  | 2.9  |
| Fa1   | 4.80 | 3.00 | 5.46 | 13.46 | -1.07   | 1.8                  | 3.0  |
| Fa2   | 5.10 | 3.00 | 5.19 | 13.73 | -1.01   | 1.8                  | 3.1  |
| Fa3   | 5.40 | 3.00 | 5.02 | 13.73 | -0.88   | 1.8                  | 3.0  |
| Fa4   | 5.70 | 3.00 | 4.98 | 13.49 | -0.75   | 1.8                  | 3.0  |
| Fa5   | 6.00 | 3.00 | 5.03 | 13.07 | -0.64   | 1.8                  | 2.8  |
| Fa6   | 6.30 | 3.00 | 5.17 | 12.49 | -0.58   | 1.8                  | 2.7  |
| Fa7   | 6.60 | 3.00 | 5.36 | 11.75 | -0.58   | 1.8                  | 2.5  |
| Fa8   | 6.90 | 3.00 | 5.56 | 10.89 | -0.66   | 1.8                  | 2.4  |
| Fa9   | 7.20 | 3.00 | 5.71 | 9.90  | -0.82   | 1.8                  | 2.2  |
| Fb0   | 7.50 | 3.00 | 5.76 | 8.80  | -1.04   | 1.8                  | 2.0  |

| Punkt | X    | Y    | mx      | my    | mxy                  | asru | assu |
|-------|------|------|---------|-------|----------------------|------|------|
|       | [m]  |      | [kNm/m] |       | [cm <sup>2</sup> /m] |      |      |
| Fb1   | 7.80 | 3.00 | 5.63    | 7.59  | -1.30                | 1.8  | 1.8  |
| Fb2   | 8.10 | 3.00 | 5.25    | 6.29  | -1.58                | 1.8  | 1.8  |
| Fb3   | 8.40 | 3.00 | 4.58    | 4.88  | -1.83                | 1.8  | 1.8  |
| Fb4   | 8.70 | 3.00 | 3.53    | 3.37  | -2.04                | 1.8  | 1.8  |
| Fb5   | 0.60 | 3.30 | 3.20    | 3.57  | 3.25                 | 1.8  | 1.8  |
| Fb6   | 0.90 | 3.30 | 4.15    | 5.12  | 3.12                 | 1.8  | 1.8  |
| Fb7   | 1.20 | 3.30 | 4.81    | 6.52  | 2.95                 | 1.8  | 1.9  |
| Fb8   | 1.50 | 3.30 | 5.26    | 7.72  | 2.75                 | 1.8  | 2.1  |
| Fb9   | 1.80 | 3.30 | 5.54    | 8.72  | 2.53                 | 1.8  | 2.3  |
| Fc0   | 2.10 | 3.30 | 5.72    | 9.52  | 2.30                 | 1.8  | 2.4  |
| Fc1   | 2.40 | 3.30 | 5.81    | 10.11 | 2.03                 | 1.8  | 2.5  |
| Fc2   | 2.70 | 3.30 | 5.82    | 10.54 | 1.71                 | 1.8  | 2.5  |
| Fc3   | 3.00 | 3.30 | 5.74    | 10.87 | 1.34                 | 1.8  | 2.5  |
| Fc4   | 3.30 | 3.30 | 5.62    | 11.16 | 0.95                 | 1.8  | 2.5  |
| Fc5   | 3.60 | 3.30 | 5.52    | 11.46 | 0.55                 | 1.8  | 2.5  |
| Fc6   | 3.90 | 3.30 | 5.46    | 11.79 | 0.16                 | 1.8  | 2.5  |
| Fc7   | 4.20 | 3.30 | 5.42    | 12.15 | -0.21                | 1.8  | 2.6  |
| Fc8   | 4.50 | 3.30 | 5.34    | 12.52 | -0.53                | 1.8  | 2.7  |
| Fc9   | 4.80 | 3.30 | 5.20    | 12.81 | -0.76                | 1.8  | 2.8  |
| Fd0   | 5.10 | 3.30 | 5.04    | 12.98 | -0.90                | 1.8  | 2.9  |
| Fd1   | 5.40 | 3.30 | 4.93    | 12.97 | -0.96                | 1.8  | 2.9  |
| Fd2   | 5.70 | 3.30 | 4.89    | 12.79 | -1.00                | 1.8  | 2.9  |
| Fd3   | 6.00 | 3.30 | 4.92    | 12.43 | -1.04                | 1.8  | 2.8  |
| Fd4   | 6.30 | 3.30 | 5.02    | 11.93 | -1.12                | 1.8  | 2.7  |
| Fd5   | 6.60 | 3.30 | 5.15    | 11.28 | -1.25                | 1.8  | 2.6  |
| Fd6   | 6.90 | 3.30 | 5.28    | 10.49 | -1.43                | 1.8  | 2.5  |
| Fd7   | 7.20 | 3.30 | 5.38    | 9.59  | -1.67                | 1.8  | 2.3  |
| Fd8   | 7.50 | 3.30 | 5.38    | 8.56  | -1.96                | 1.8  | 2.2  |
| Fd9   | 7.80 | 3.30 | 5.23    | 7.43  | -2.28                | 1.8  | 2.0  |
| Fe0   | 8.10 | 3.30 | 4.88    | 6.17  | -2.60                | 1.8  | 1.8  |
| Fe1   | 8.40 | 3.30 | 4.26    | 4.81  | -2.89                | 1.8  | 1.8  |
| Fe2   | 8.70 | 3.30 | 3.30    | 3.33  | -3.12                | 1.8  | 1.8  |
| Fe3   | 0.30 | 3.60 | 1.75    | 1.74  | 4.51                 | 1.8  | 1.8  |
| Fe4   | 0.60 | 3.60 | 2.98    | 3.32  | 4.38                 | 1.8  | 1.8  |
| Fe5   | 0.90 | 3.60 | 3.84    | 4.76  | 4.17                 | 1.8  | 1.8  |
| Fe6   | 1.20 | 3.60 | 4.42    | 6.03  | 3.89                 | 1.8  | 2.0  |
| Fe7   | 1.50 | 3.60 | 4.81    | 7.13  | 3.57                 | 1.8  | 2.2  |
| Fe8   | 1.80 | 3.60 | 5.05    | 8.05  | 3.22                 | 1.8  | 2.3  |
| Fe9   | 2.10 | 3.60 | 5.19    | 8.80  | 2.85                 | 1.8  | 2.4  |
| Ff0   | 2.40 | 3.60 | 5.24    | 9.40  | 2.45                 | 1.8  | 2.4  |
| Ff1   | 2.70 | 3.60 | 5.22    | 9.88  | 2.04                 | 1.8  | 2.5  |
| Ff2   | 3.00 | 3.60 | 5.14    | 10.27 | 1.62                 | 1.8  | 2.5  |
| Ff3   | 3.30 | 3.60 | 5.04    | 10.60 | 1.21                 | 1.8  | 2.4  |
| Ff4   | 3.60 | 3.60 | 4.95    | 10.91 | 0.81                 | 1.8  | 2.4  |
| Ff5   | 3.90 | 3.60 | 4.80    | 11.18 | 0.43                 | 1.8  | 2.4  |
| Ff6   | 4.20 | 3.60 | 4.72    | 11.48 | -0.18                | 1.8  | 2.5  |
| Ff7   | 4.50 | 3.60 | 4.64    | 11.93 | -0.83                | 1.8  | 2.6  |
| Ff8   | 4.80 | 3.60 | 4.58    | 11.90 | -1.03                | 1.8  | 2.7  |
| Ff9   | 5.10 | 3.60 | 4.55    | 11.74 | -1.21                | 1.8  | 2.7  |
| Fg0   | 5.40 | 3.60 | 4.58    | 11.44 | -1.39                | 1.8  | 2.7  |
| Fg1   | 5.70 | 3.60 | 4.61    | 11.00 | -1.59                | 1.8  | 2.6  |
| Fg2   | 6.00 | 3.60 | 4.73    | 10.44 | -1.82                | 1.8  | 2.5  |
| Fg3   | 6.30 | 3.60 | 4.82    | 9.76  | -2.11                | 1.8  | 2.4  |
| Fg4   | 6.60 | 3.60 | 4.88    | 8.96  | -2.43                | 1.8  | 2.3  |
| Fg5   | 6.90 | 3.60 | 4.85    | 8.04  | -2.80                | 1.8  | 2.2  |
| Fg6   | 7.20 | 3.60 | 4.71    | 7.03  | -3.19                | 1.8  | 2.1  |
| Fg7   | 7.50 | 3.60 | 4.40    | 5.86  | -3.57                | 1.8  | 1.9  |
| Fg8   | 7.80 | 3.60 | 3.86    | 4.58  | -3.92                | 1.8  | 1.8  |
| Fg9   | 8.10 | 3.60 | 3.01    | 3.18  | -4.19                | 1.8  | 1.8  |
| Fh0   | 8.40 | 3.60 | 1.77    | 1.66  | -4.36                | 1.8  | 1.8  |
| Fh1   | 0.30 | 3.90 | 1.59    | 1.58  | 5.59                 | 1.8  | 1.8  |
| Fh2   | 0.60 | 3.90 | 2.66    | 3.01  | 5.41                 | 1.8  | 1.8  |
| Fh3   | 0.90 | 3.90 | 3.38    | 4.29  | 5.12                 | 1.8  | 1.9  |
| Fh4   | 1.20 | 3.90 | 3.86    | 5.40  | 4.74                 | 1.8  | 2.1  |
| Fh5   | 1.50 | 3.90 | 4.17    | 6.36  | 4.31                 | 1.8  | 2.2  |
| Fh6   | 1.80 | 3.90 | 4.37    | 7.16  | 3.84                 | 1.8  | 2.3  |
| Fh7   | 2.10 | 3.90 | 4.47    | 7.82  | 3.36                 | 1.8  | 2.3  |
| Fh8   | 2.40 | 3.90 | 4.49    | 8.37  | 2.88                 | 1.8  | 2.3  |
| Fh9   | 2.70 | 3.90 | 4.47    | 8.82  | 2.40                 | 1.8  | 2.3  |
| Fh10  | 3.00 | 3.90 | 4.40    | 9.20  | 1.93                 | 1.8  | 2.3  |
| Fh11  | 3.30 | 3.90 | 4.32    | 9.52  | 1.48                 | 1.8  | 2.3  |
| Fh12  | 3.60 | 3.90 | 4.25    | 9.79  | 1.05                 | 1.8  | 2.2  |
| Fh13  | 3.90 | 3.90 | 4.15    | 10.01 | 0.63                 | 1.8  | 2.2  |
| Fh14  | 4.20 | 3.90 | 4.01    | 10.16 | -0.17                | 1.8  | 2.4  |
| Fh15  | 4.50 | 3.90 | 4.06    | 9.70  | -0.98                | 1.8  | 2.4  |

| Punkt | X    | Y    | mx      | my    | mxy                  | asru | assu |
|-------|------|------|---------|-------|----------------------|------|------|
|       | [m]  |      | [kNm/m] |       | [cm <sup>2</sup> /m] |      |      |
| F16   | 6.60 | 3.90 | 4.12    | 9.23  | -2.31                | 1.8  | 2.4  |
| F17   | 6.90 | 3.90 | 4.18    | 8.66  | -2.68                | 1.8  | 2.3  |
| F18   | 7.20 | 3.90 | 4.21    | 7.99  | -3.09                | 1.8  | 2.3  |
| F19   | 7.50 | 3.90 | 4.18    | 7.21  | -3.54                | 1.8  | 2.2  |
| Fj0   | 7.80 | 3.90 | 4.06    | 6.33  | -4.00                | 1.8  | 2.1  |
| Fj1   | 8.10 | 3.90 | 3.81    | 5.32  | -4.45                | 1.8  | 2.0  |
| Fj2   | 8.40 | 3.90 | 3.37    | 4.20  | -4.86                | 1.8  | 1.9  |
| Fj3   | 8.70 | 3.90 | 2.67    | 2.93  | -5.19                | 1.8  | 1.8  |
| Fj4   | 9.00 | 3.90 | 1.60    | 1.53  | -5.39                | 1.8  | 1.8  |
| Fj5   | 0.30 | 4.20 | 1.40    | 1.39  | 6.56                 | 1.8  | 1.8  |
| Fj6   | 0.60 | 4.20 | 2.25    | 2.62  | 6.32                 | 1.8  | 1.8  |
| Fj7   | 0.90 | 4.20 | 2.78    | 3.67  | 5.94                 | 1.8  | 2.0  |
| Fj8   | 1.20 | 4.20 | 3.13    | 4.57  | 5.46                 | 1.8  | 2.1  |
| Fj9   | 1.50 | 4.20 | 3.36    | 5.34  | 4.93                 | 1.8  | 2.1  |
| Fk0   | 1.80 | 4.20 | 3.50    | 5.98  | 4.37                 | 1.8  | 2.1  |
| Fk1   | 2.10 | 4.20 | 3.57    | 6.52  | 3.81                 | 1.8  | 2.1  |
| Fk2   | 2.40 | 4.20 | 3.59    | 6.97  | 3.26                 | 1.8  | 2.1  |
| Fk3   | 2.70 | 4.20 | 3.56    | 7.35  | 2.72                 | 1.8  | 2.1  |
| Fk4   | 3.00 | 4.20 | 3.51    | 7.66  | 2.20                 | 1.8  | 2.0  |
| Fk5   | 3.30 | 4.20 | 3.29    | 7.99  | -2.29                | 1.8  | 2.1  |
| Fk6   | 3.60 | 4.20 | 3.33    | 7.63  | -2.70                | 1.8  | 2.1  |
| Fk7   | 3.90 | 4.20 | 3.37    | 7.19  | -3.15                | 1.8  | 2.1  |
| Fk8   | 4.20 | 4.20 | 3.38    | 6.66  | -3.63                | 1.8  | 2.1  |
| Fk9   | 4.50 | 4.20 | 3.36    | 6.05  | -4.15                | 1.8  | 2.1  |
| Fl0   | 4.80 | 4.20 | 3.26    | 5.35  | -4.68                | 1.8  | 2.1  |
| Fl1   | 5.10 | 4.20 | 3.07    | 4.55  | -5.20                | 1.8  | 2.0  |
| Fl2   | 5.40 | 4.20 | 2.75    | 3.63  | -5.69                | 1.8  | 1.9  |
| Fl3   | 5.70 | 4.20 | 2.23    | 2.58  | -6.08                | 1.8  | 1.8  |
| Fl4   | 6.00 | 4.20 | 1.39    | 1.36  | -6.33                | 1.8  | 1.8  |
| Fl5   | 0.30 | 4.50 | 1.14    | 1.30  | 7.33                 | 1.8  | 1.8  |
| Fl6   | 0.60 | 4.50 | 1.70    | 2.10  | 7.03                 | 1.8  | 1.9  |
| Fl7   | 0.90 | 4.50 | 2.03    | 2.85  | 6.57                 | 1.8  | 1.9  |
| Fl8   | 1.20 | 4.50 | 2.24    | 3.48  | 6.00                 | 1.8  | 1.9  |
| Fl9   | 1.50 | 4.50 | 2.39    | 4.01  | 5.39                 | 1.8  | 1.9  |
| Fm0   | 1.80 | 4.50 | 2.48    | 4.45  | 4.77                 | 1.8  | 1.9  |
| Fm1   | 2.10 | 4.50 | 2.53    | 4.83  | 4.15                 | 1.8  | 1.8  |
| Fm2   | 2.40 | 4.50 | 2.53    | 5.15  | 3.55                 | 1.8  | 1.8  |
| Fm3   | 2.70 | 4.50 | 2.51    | 5.42  | 2.96                 | 1.8  | 1.8  |
| Fm4   | 3.00 | 4.50 | 2.37    | 5.60  | -2.99                | 1.8  | 1.8  |
| Fm5   | 3.30 | 4.50 | 2.39    | 5.29  | -3.49                | 1.8  | 1.8  |
| Fm6   | 3.60 | 4.50 | 2.40    | 4.93  | -4.03                | 1.8  | 1.8  |
| Fm7   | 3.90 | 4.50 | 2.38    | 4.51  | -4.60                | 1.8  | 1.9  |
| Fm8   | 4.20 | 4.50 | 2.31    | 4.03  | -5.18                | 1.8  | 1.9  |
| Fm9   | 4.50 | 4.50 | 2.19    | 3.47  | -5.77                | 1.8  | 1.9  |
| Fn0   | 4.80 | 4.50 | 2.00    | 2.83  | -6.33                | 1.8  | 1.9  |
| Fn1   | 5.10 | 4.50 | 1.68    | 2.08  | -6.78                | 1.8  | 1.8  |
| Fn2   | 5.40 | 4.50 | 1.13    | 1.29  | -7.09                | 1.8  | 1.8  |
| Fn3   | 0.90 | 4.80 | 1.09    | 1.70  | 6.96                 | 1.8  | 1.8  |
| Fn4   | 1.20 | 4.80 | 1.19    | 2.00  | 6.34                 | 1.8  | 1.8  |
| Fn5   | 1.50 | 4.80 | 1.27    | 2.27  | 5.68                 | 1.8  | 1.8  |
| Fn6   | 1.80 | 4.80 | 1.31    | 2.50  | 5.02                 | 1.8  | 1.8  |
| Fn7   | 2.10 | 4.80 | 1.33    | 2.69  | 4.37                 | 1.8  | 1.8  |
| Fn8   | 2.40 | 4.80 | 1.27    | 2.75  | -4.27                | 1.8  | 1.8  |
| Fn9   | 2.70 | 4.80 | 1.26    | 2.53  | -4.87                | 1.8  | 1.8  |
| Fo0   | 3.00 | 4.80 | 1.23    | 2.29  | -5.49                | 1.8  | 1.8  |
| Fo1   | 3.30 | 4.80 | 1.16    | 2.01  | -6.12                | 1.8  | 1.8  |
| Fo2   | 3.60 | 4.80 | 1.07    | 1.70  | -6.73                | 1.8  | 1.8  |
| Ro1   | 0.00 | 0.00 | -0.03   | -0.03 | -7.52                | 1.8  | 1.8  |
| Ro2   | 0.30 | 5.10 | 1.52    | 0.11  | 7.61                 | 1.9  | 1.8  |
| Ro3   | 0.60 | 5.10 | 1.52    | 0.11  | 7.61                 | 1.9  | 1.8  |
| Ro4   | 0.90 | 5.10 | 1.52    | 0.11  | 7.61                 | 1.9  | 1.8  |
| Ro5   | 1.20 | 5.10 | 1.52    | 0.11  | 7.61                 | 1.9  | 1.8  |
| Ro6   | 1.50 | 5.10 | 1.52    | 0.11  | 7.61                 | 1.9  | 1.8  |
| Ro7   | 1.80 | 5.10 | 1.52    | 0.11  | 7.61                 | 1.9  | 1.8  |
| Ro8   | 2.10 | 5.10 | 1.52    | 0.11  | 7.61                 | 1.9  | 1.8  |
| Ro9   | 2.40 | 5.10 | 1.52    | 0.11  | 7.61                 | 1.9  | 1.8  |

Poz. PL-1 - Zbrojenie dołem ass [cm<sup>2</sup>/m]

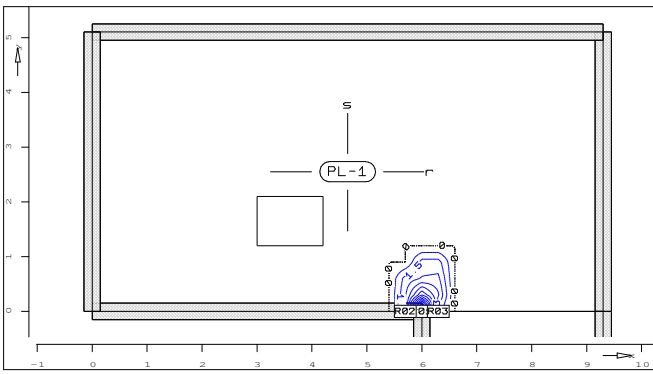


Wymiarowanie dla obwiedni MIN/MAX przez Lfn i Lkn  
wymiarowanie wg. PN-2002/B-03264  
Beton B25 fcd = 13.3 MPa  
Stal AIIIIN fykd = 420.0 MPa  
Grubość stali d = 15.00 cm

ro so ru su  
Otulina zbroj. h' 3.0 3.0 3.0 3.0 cm  
Kat ułożenia zbrojenia w = 0.00 stop  
Skok izolacji krok = 0.40 cm<sup>2</sup>/m

| Zbrojenie | Punkt | X    | Y    | mx      | my    | mxy                  | asru | assu |
|-----------|-------|------|------|---------|-------|----------------------|------|------|
|           |       | [m]  |      | [kNm/m] |       | [cm <sup>2</sup> /m] |      |      |
| F01       | 4.50  | 0.60 | 2.70 | 3.97    | 1.61  | 0.0                  | 1.8  |      |
| F02       | 4.80  | 0.60 | 2.22 | 3.90    | 1.89  | 0.0                  | 1.8  |      |
| F03       | 7.80  | 0.90 | 7.17 | 1.96    | 3.93  | 2.3                  | 1.8  |      |
| F04       | 8.10  | 0.90 | 6.84 | 1.90    | 3.54  | 2.1                  | 1.8  |      |
| F05       | 8.10  | 1.20 | 6.62 | 2.91    | 3.38  | 2.0                  | 1.8  |      |
| F06       | 8.40  | 1.20 | 6.79 | 2.37    | 3.07  | 1.8                  | 1.8  |      |
| F07       | 0.30  | 1.50 | 1.69 | 1.83    | -4.45 | 1.8                  | 1.8  |      |
| F08       | 8.10  | 1.50 | 6.40 | 3.89    | 2.94  | 1.9                  | 1.8  |      |
| F09       | 8.40  | 1.50 | 5.61 | 3.06    | 2.64  | 1.8                  | 1.8  |      |
| F10       | 8.10  | 1.80 | 6.19 | 4.75    | 2.27  | 1.8                  | 1.8  |      |
| F11       | 8.40  | 1.80 | 5.42 | 3.69    | 2.00  | 1.8                  | 1.8  |      |
| F12       | 0.60  | 2.10 | 3.25 | 3.86    | -1.80 | 0.0                  | 1.8  |      |
| F13       | 8.10  | 2.10 | 5.99 | 5.43    | 1.43  | 1.8                  | 1.8  |      |
| F14       | 8.40  | 2.10 | 5.24 | 4.20    | 1.19  | 1.8                  | 1.8  |      |
| F15       | 0.90  | 2.40 | 4.35 | 5.63    | -0.43 | 0.0                  | 1.8  |      |
| F16       | 8.10  | 2.40 | 5.79 | 5.92    | 0.48  | 1.8                  |      |      |

Poz. PL-1 - zbrojenie górą asr [cm2/m]



Wymiarowanie dla obwiedni MIN/MAX przez Lfn i Lkn  
 wymiarowanie wg. PN-2002/B-03264  
 Beton B25 fcd = 13.3 MPa  
 Stal AIIIIN fyd = 420.0 MPa  
 Grubość stała d = 15.00 cm

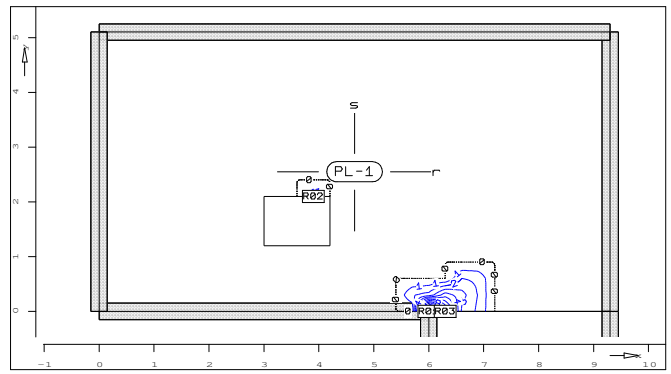
ro so ru su  
 Otulina zbroj. h' 3.0 3.0 3.0 3.0 cm  
 Kat ułożenia zbrojenia w = 0.00 stop  
 Skok izolacji krok = 0.75 cm2/m

Zbrojenie

| Funkt | X    | Y    | mx     | my     | mxy     | asro    | asso |
|-------|------|------|--------|--------|---------|---------|------|
|       | [m]  |      |        |        | [kNm/m] | [cm2/m] |      |
| R01   | 6.00 | 0.00 | -36.86 | -45.49 | 16.21   | 13.2    | 16.3 |
| R02   | 5.70 | 0.00 | -6.50  | 11.46  | 6.51    | 2.1     | 0.0  |
| R03   | 6.30 | 0.00 | 2.59   | -29.50 | 8.00    | 1.8     | 8.6  |

za111

Poz. PL-1 - zbrojenie górą ass [cm2/m]



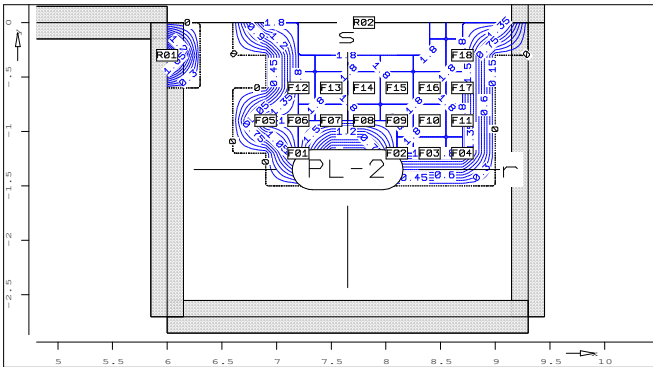
Wymiarowanie dla obwiedni MIN/MAX przez Lfn i Lkn  
 wymiarowanie wg. PN-2002/B-03264  
 Beton B25 fcd = 13.3 MPa  
 Stal AIIIIN fyd = 420.0 MPa  
 Grubość stała d = 15.00 cm

ro so ru su  
 Otulina zbroj. h' 3.0 3.0 3.0 3.0 cm  
 Kat ułożenia zbrojenia w = 0.00 stop  
 Skok izolacji krok = 1.00 cm2/m

Zbrojenie

| Funkt | X    | Y    | mx     | my     | mxy     | asro    | asso |
|-------|------|------|--------|--------|---------|---------|------|
|       | [m]  |      |        |        | [kNm/m] | [cm2/m] |      |
| R01   | 6.00 | 0.00 | -36.86 | -45.49 | 16.21   | 13.2    | 16.3 |
| R02   | 3.90 | 2.10 | 10.68  | -3.88  | -5.34   | 0.0     | 1.8  |
| R03   | 6.30 | 0.00 | 2.59   | -29.50 | 8.00    | 1.8     | 8.6  |

Poz. PL-2 - zbrojenie dołem asr [cm2/m]



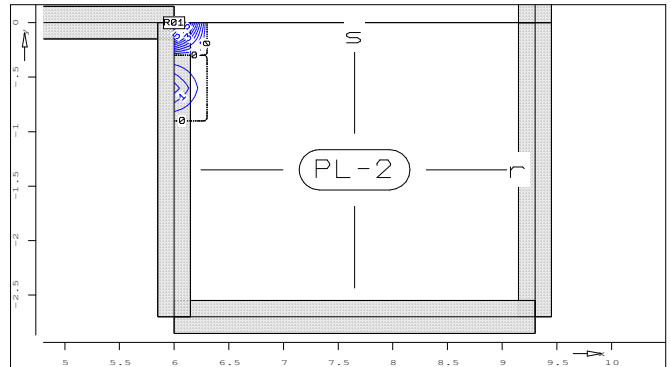
Wymiarowanie dla obwiedni MIN/MAX przez Lfn i Lkn  
 wymiarowanie wg. PN-2002/B-03264  
 Beton B25 fcd = 13.3 MPa  
 Stal AIIIIN fyd = 420.0 MPa  
 Grubość stała d = 15.00 cm

ro so ru su  
 Otulina zbroj. h' 3.0 3.0 3.0 3.0 cm  
 Kat ułożenia zbrojenia w = 0.00 stop  
 Skok izolacji krok = 0.15 cm2/m

Zbrojenie

| Funkt | X    | Y     | mx   | my    | mxy     | asru    | assu |
|-------|------|-------|------|-------|---------|---------|------|
|       | [m]  |       |      |       | [kNm/m] | [cm2/m] |      |
| F01   | 7.20 | -1.20 | 4.02 | 0.56  | -1.27   | 1.8     | 0.0  |
| F02   | 8.10 | -1.20 | 4.84 | 0.98  | 0.94    | 1.8     | 0.0  |
| F03   | 8.40 | -1.20 | 4.31 | 0.95  | 1.55    | 1.8     | 0.0  |
| F04   | 8.70 | -1.20 | 3.36 | 0.78  | 2.02    | 1.8     | 0.0  |
| F05   | 6.90 | -0.90 | 3.34 | -0.89 | -2.00   | 1.8     | 0.0  |
| F06   | 7.20 | -0.90 | 4.71 | -0.65 | -1.21   | 1.8     | 0.0  |
| F07   | 7.50 | -0.90 | 5.49 | -0.19 | -0.36   | 1.8     | 0.0  |
| F08   | 7.80 | -0.90 | 5.75 | 0.24  | 0.43    | 1.8     | 0.0  |
| F09   | 8.10 | -0.90 | 5.54 | 0.54  | 1.11    | 1.8     | 0.0  |
| F10   | 8.40 | -0.90 | 4.88 | 0.66  | 1.66    | 1.8     | 0.0  |
| F11   | 8.70 | -0.90 | 3.76 | 0.60  | 2.07    | 1.8     | 0.0  |
| F12   | 7.20 | -0.60 | 5.56 | -2.24 | -0.75   | 1.8     | 0.0  |
| F13   | 7.50 | -0.60 | 6.30 | -1.20 | 0.14    | 1.8     | 0.0  |
| F14   | 7.80 | -0.60 | 6.47 | -0.41 | 0.86    | 1.8     | 0.0  |
| F15   | 8.10 | -0.60 | 6.15 | 0.12  | 1.44    | 1.8     | 0.0  |
| F16   | 8.40 | -0.60 | 5.36 | 0.40  | 1.90    | 1.8     | 0.0  |
| F17   | 8.70 | -0.60 | 4.10 | 0.44  | 2.23    | 1.8     | 0.0  |
| F18   | 8.70 | -0.30 | 4.35 | 0.37  | 2.47    | 1.8     | 0.0  |
| R01   | 6.00 | -0.30 | 7.89 | -1.47 | -5.83   | 2.8     | 0.0  |
| R02   | 7.80 | 0.00  | 7.42 | -0.88 | 2.15    | 2.0     | 0.0  |

Poz. PL-2 - zbrojenie dołem ass [cm2/m]



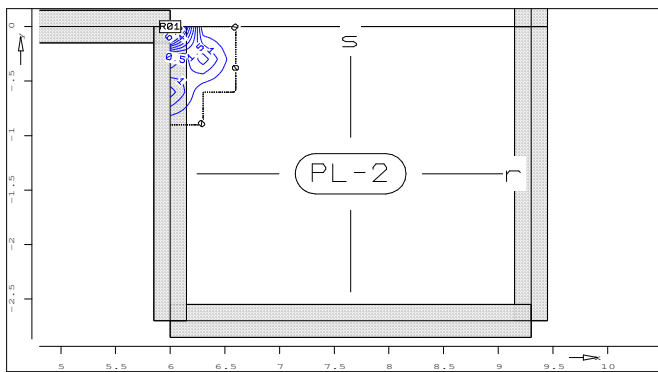
Wymiarowanie dla obwiedni MIN/MAX przez Lfn i Lkn  
 wymiarowanie wg. PN-2002/B-03264  
 Beton B25 fcd = 13.3 MPa  
 Stal AIIIIN fyd = 420.0 MPa  
 Grubość stała d = 15.00 cm

ro so ru su  
 Otulina zbroj. h' 3.0 3.0 3.0 3.0 cm  
 Kat ułożenia zbrojenia w = 0.00 stop  
 Skok izolacji krok = 0.50 cm2/m

Zbrojenie

| Funkt | X    | Y    | mx     | my     | mxy     | asru    | assu |
|-------|------|------|--------|--------|---------|---------|------|
|       | [m]  |      |        |        | [kNm/m] | [cm2/m] |      |
| R01   | 6.00 | 0.00 | -31.81 | -90.17 | 7.02    | 0.0     | 9.6  |

Poz. PL-2 - zbrojenie górą asr [cm<sup>2</sup>/m]



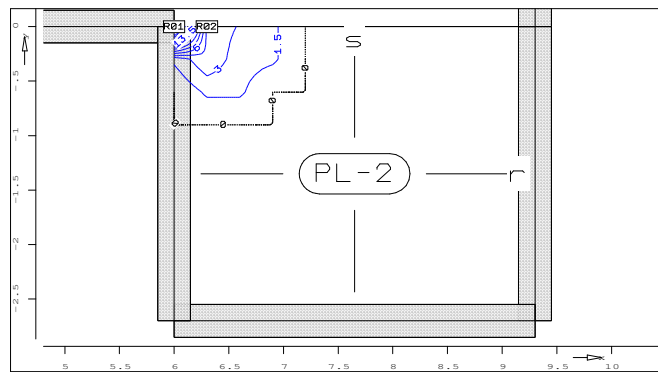
Wymiarowanie dla obwiedni MIN/MAX przez Lfn i Lkn  
 wymiarowanie wg. PN-2002/B-03264  
 Beton B25  $f_{cd} = 13.3$  MPa  
 Stal AIIIIN  $f_{yd} = 420.0$  MPa  
 Grubość stała  $d = 15.00$  cm

ro so ru su  
 Otulina zbroj. h' 3.0 3.0 3.0 3.0 cm  
 Kąt ułożenia zbrojenia w = 0.00 stop  
 Skok izolacji krok = 0.50 cm<sup>2</sup>/m

Zbrojenie

| Funkt | X    | Y    | mx     | my     | mxy     | asro                 | asso |
|-------|------|------|--------|--------|---------|----------------------|------|
|       | [m]  |      |        |        | [kNm/m] | [cm <sup>2</sup> /m] |      |
| R01   | 6.00 | 0.00 | -31.81 | -90.17 | 7.02    | 8.9                  | 25.7 |

Poz. PL-2 - zbrojenie górą ass [cm<sup>2</sup>/m]



Wymiarowanie dla obwiedni MIN/MAX przez Lfn i Lkn  
 wymiarowanie wg. PN-2002/B-03264  
 Beton B25  $f_{cd} = 13.3$  MPa  
 Stal AIIIIN  $f_{yd} = 420.0$  MPa  
 Grubość stała  $d = 15.00$  cm

ro so ru su  
 Otulina zbroj. h' 3.0 3.0 3.0 3.0 cm  
 Kąt ułożenia zbrojenia w = 0.00 stop  
 Skok izolacji krok = 1.50 cm<sup>2</sup>/m

Zbrojenie

| Funkt | X    | Y    | mx     | my     | mxy     | asro                 | asso |
|-------|------|------|--------|--------|---------|----------------------|------|
|       | [m]  |      |        |        | [kNm/m] | [cm <sup>2</sup> /m] |      |
| R01   | 6.00 | 0.00 | -31.81 | -90.17 | 7.02    | 8.9                  | 25.7 |
| R02   | 6.30 | 0.00 | 4.78   | -18.52 | 1.52    | 0.0                  | 4.0  |